

Network Camera Quick Start Guide

1 Warning and Caution

■ Please read this instruction carefully before operating the unit and keep it for further reference.

■ All the examples and pictures used here are for reference only.

■ The contents of this manual are subject to change without notice.

■ If the product does not work properly, please contact your dealer or the nearest service center. Never attempt to disassemble the camera yourself. (We shall not be responsible for any problems caused by unauthorized repair or maintenance.)

■ Do not allow water or liquid intrusion into the camera.

■ In the use of the product, you must be strict compliance with the electrical safety regulations of the nation and region. When the product is mounted on wall or ceiling, the device shall be firmly fixed.

■ Do not use camera beyond specified voltage range.

■ The product must be grounded to reduce the risk of electric shock.

■ Do not drop the camera or subject it to physical shock.

■ Avoid touching the camera lens.

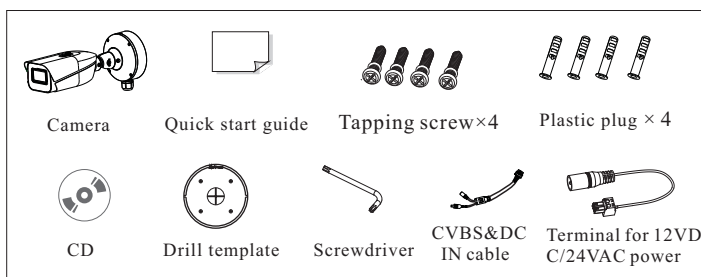
■ If cleaning is necessary, please use clean cloth to wipe it gently.

■ Do not aim the camera at the sun or extra bright place.

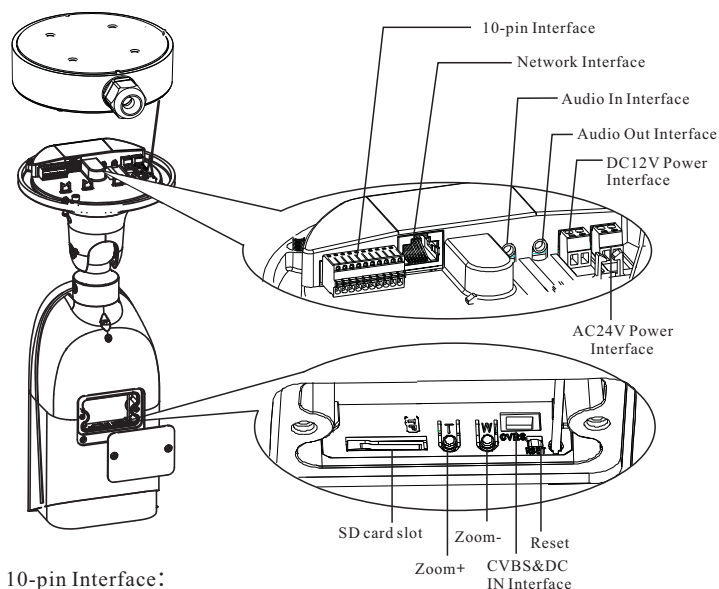
■ Do not place the camera in extremely hot, cold, dusty or damp locations, and do not expose it to high electromagnetic radiation.

■ To avoid heat accumulation, good ventilation is required for operating environment.

2 Package



3 Overview



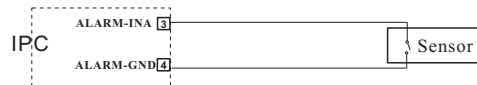
10-pin Interface:

| | | | | | | | | | |
|----------------------|------|-------------|------|------------------|----|-------------|-----|--------------|-----|
| PWR | | VO | | RS 485 | | ALM-I | | ALM-O | |
| GND | 12V+ | GND | CVBS | D- | D+ | GND | INA | NO | COM |
| DC12V Output (200mA) | | CVBS Output | | RS 485 Interface | | Alarm Input | | Alarm Output | |

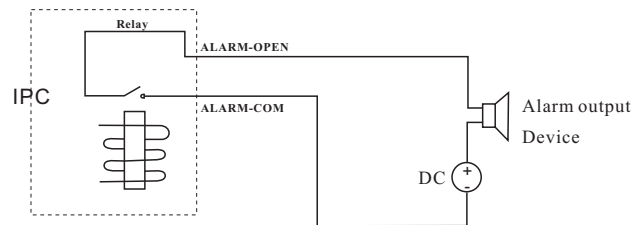
Reset: Press **Reset** button for about 10s when the camera is powering on to restore the default settings.

▶ Connecting Alarm Input/Output

Alarm Input



Alarm Output

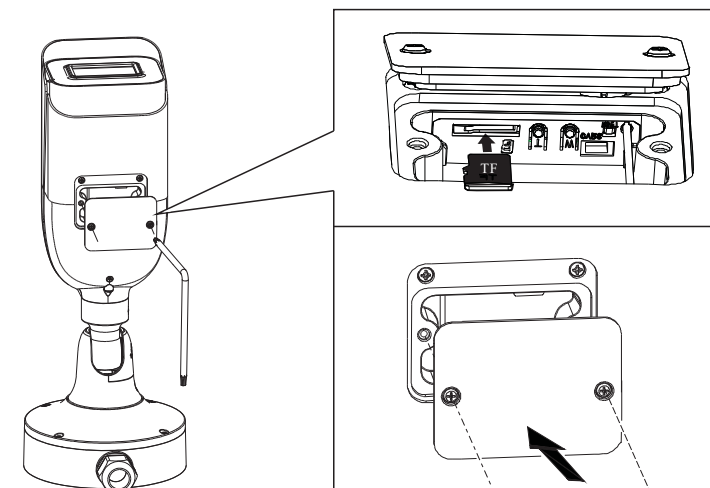


Contact parameters of Relay:
Contact Load: resistive: 1A 125VAC/24VDC
Max. Voltage: 30VDC/125VAC
Max. Current: 1A
Min. Current & Voltage: 10mA, 5VDC

4 Installation

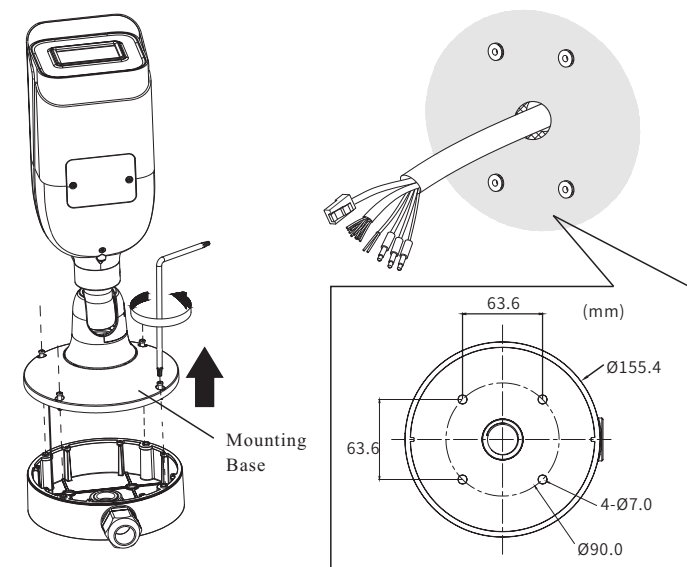
Please make sure that the wall or ceiling is strong enough to withstand 3 times the weight of the camera. Please install the camera in the dry environment.

① Install a micro SD card as shown below.

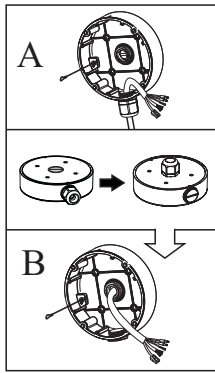
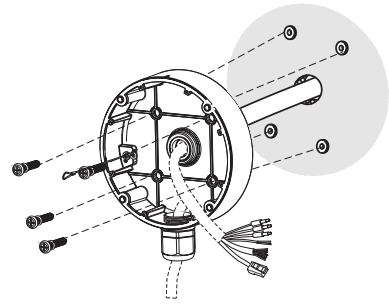


② Unscrew the mounting base of the camera and then remove the junction box.

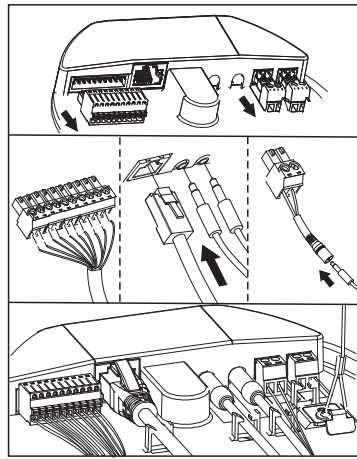
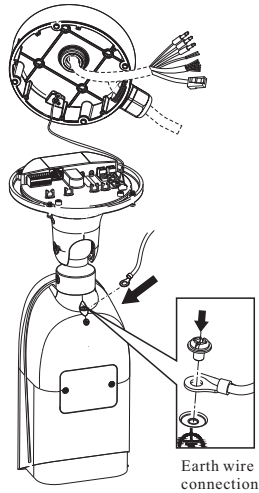
③ Drill the screw holes and the cable hole according to the drill template.



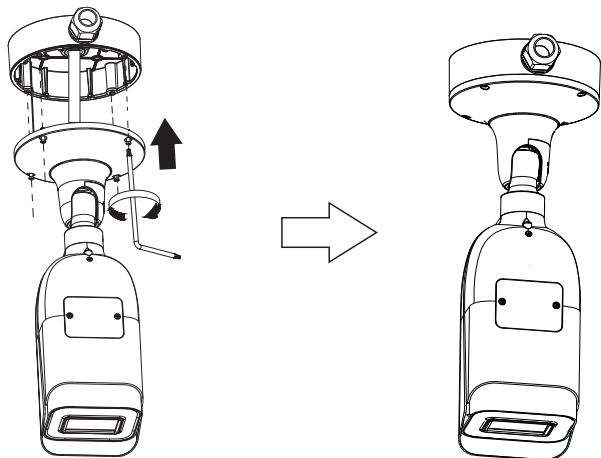
④ Mount the junction box to the wall.



⑤ Connect the cables.

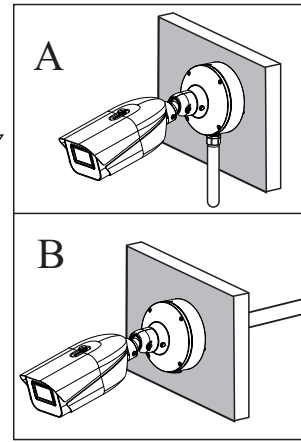
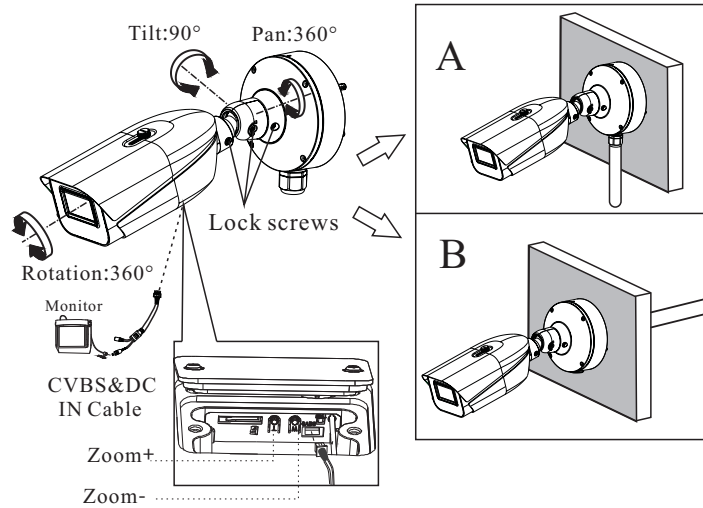


⑥ Coil up these cables and then attach the camera onto the junction box.



⑦ Bracket adjustment-Before adjustment, preview the image of the camera on a monitor and then loosen the lock screws to adjust view angle of the camera. After that, tighten the lock screws.

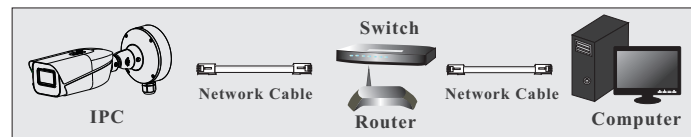
⑧ Open the cover of the camera as shown below. Press T/W to obtain an optimum image. Finally, install the cover back. Make sure the cover is installed firmly.



5 Network Connection

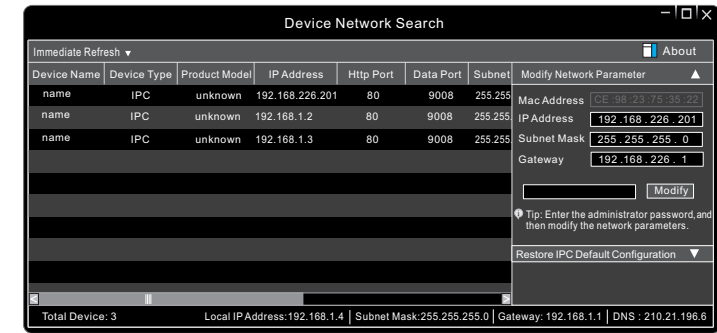
Here we take accessing IP camera via LAN for example.

● Access Through IP-Tool



① Make sure that the camera and the PC are connected to the local network.

② Install IP-Tool from the CD and run it after installation.



③ Double-click the camera listed in the IP-Tool or manually enter the IP address in the address bar of the web browser to connect IP camera. The default IP address of this camera is **192.168.226.201**.

Note: Please make sure the camera and the computer are in the same local network.

④ Follow directions to download and install the plugin (if necessary).

⑤ Read the privacy statement and then activate the device. The default username is **admin**. You need to self-define the password. Then set the security questions and answers. It is important for you to remember these answers, or you will not be able to reset your password.

Available Web Browser: IE(plug-in required) /Google Chrome/ Firefox/Safari/Edge

It is recommended to use the latest version of the above browsers.